

PERTH PICKER HIRE
THE TRACK MOUNTED SPECIALIST

PB3315/300 33M

Cherry Picker Specification Guide



ABOUT PB3315/300

The Monitor 3315's unique telescoping articulated boom design provides exceptional up and over outreach specifications. Dual position stabilizer legs allow the 3315 to be set-up in the most difficult locations. Even with the stabilizers set in the narrow position, a complete 360 degrees slew is still possible!



PB3315/300 SPECIFICATIONS

Max Working Height
32.40m

Tracks Retracted
1.99m High

Standard Power Source/s
Kubota 22 Hp Diesel

Max Horiz Outreach
15.60m

Basket Dimensions
2.2 x 0.80m

Optional Power Sources
N/A

Auto levelling
Std

Total Weight
7180kg

Drive System
Tracks

Max rated capacity
300kg

Max Ground Pressure Driving
68.6kN/m²

Expanding Tracks
Std

Weight/Outreach Limited (Yes/No)
No

Max Stabilizer Force
46.8kN

Drive Speed km/h
2.2

Turret Rotation
400°

Max Stabilizer Pressure Std
520kN/m²

2 Speed Drive
No

Basket Rotation
Up To 180°

Gradeability Length-Wise
16°

Remote Drive Control
Radio Std

Length With Basket
7.13m

Gradeability Sideways
17°

Dual Power Options
240V or Lithium Batteries

Length W/O Basket
6.57m

Max Slope For Stabilizers
27°

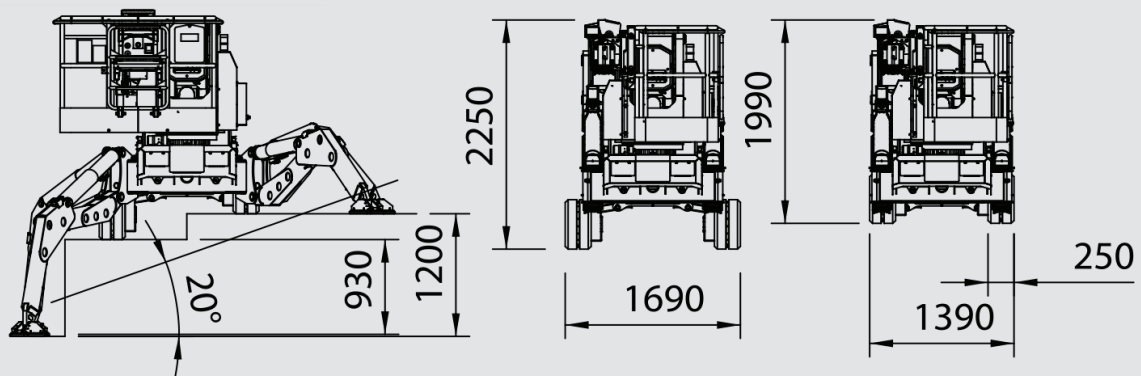
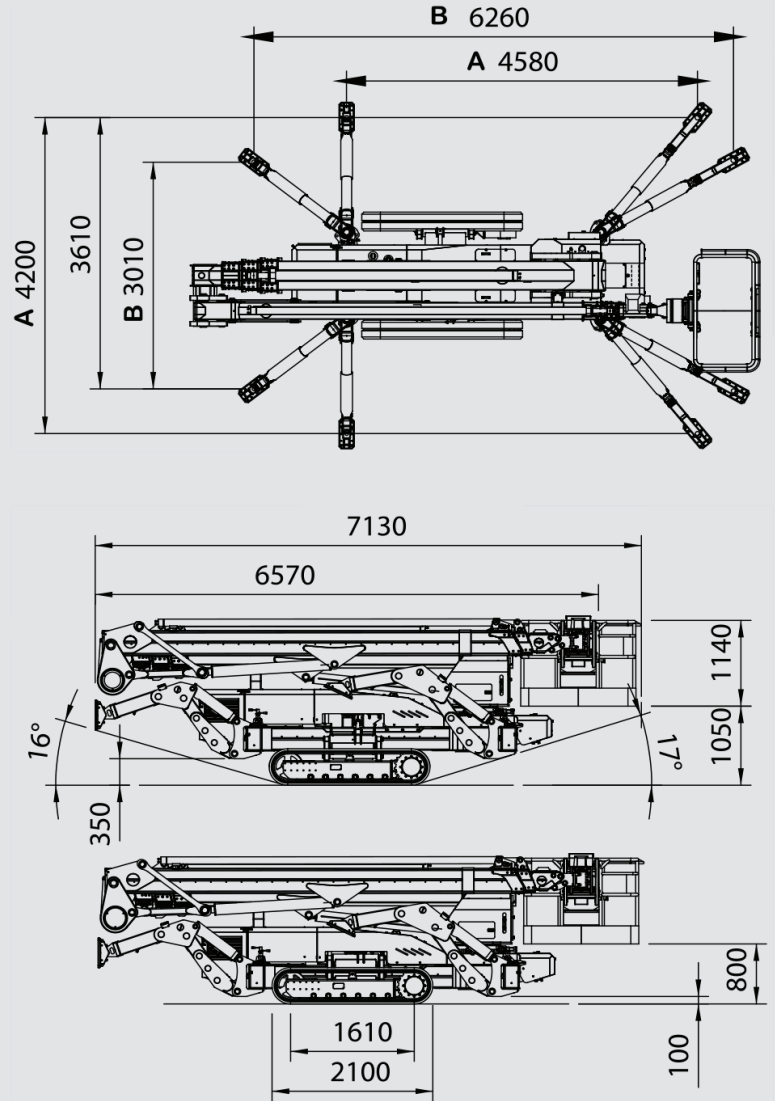
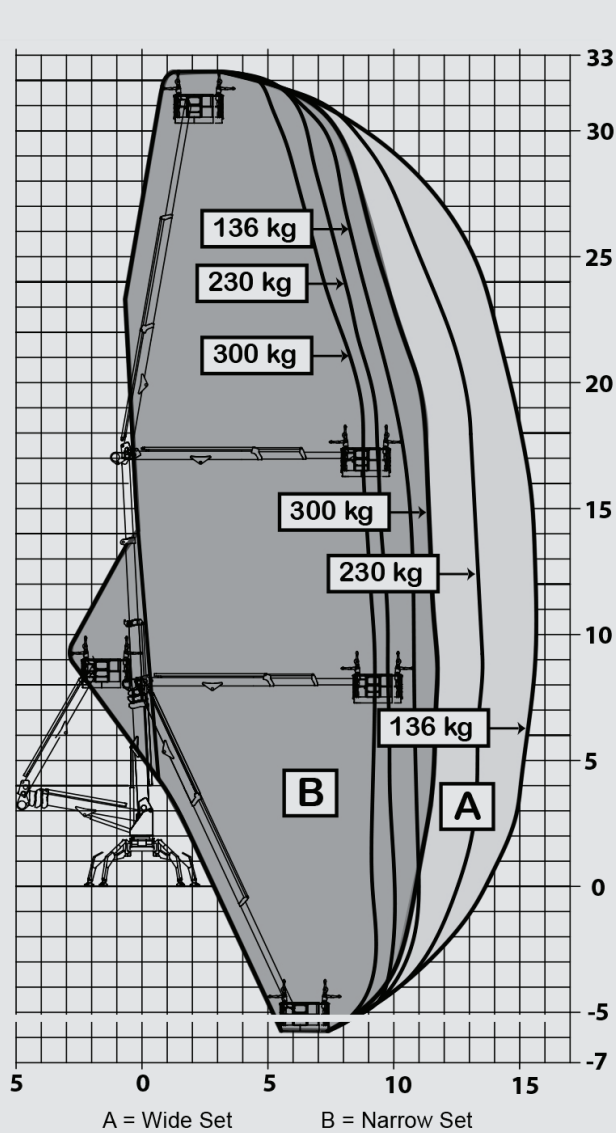
Basket Load Control
Std

Width Stowed(m) Tracks Retracted
1.39m

Stabilization System
(Radio/auto on PRO)

Electric Emergency Lowering
Std

PB3315/300 TECHNICAL DRAWINGS



PERTH PICKER HIRE
THE TRACK MOUNTED SPECIALIST