

PB2714 27M

Cherry Picker Specification Guide

Version 1.1 - 03/01/2023



ABOUT PB2714

The PB2714 Spider Lift never ceases to impress with its huge up-and-over outreach. At only 1.99 m stowed height, this Spider Lift delivers the most reach from the smallest dimensions. An unbeatable machine for confined area access to taller heights.

The tracks expand to 1290 mm for stability offroad, and retract to only 890 mm which allows the 2714 to go anywhere! Uniquely these Spider Lifts can rotate a full 360 degrees even when legs are set in the narrow position, and up to 15 m of horizontal outreach can be achieved in wide set.



PB2714 SPECIFICATIONS

Max Working Height

27.00m

Max working height in narrow set

27.00m

Max Horizontal Working Outreach

15.10m

Max rated capacity

230kg

Weight: Engine + 240V

ED 5200 kg

Turret rotation

172°

Ground pressure driving (approx)

70.15 kN/m2

Max stabiliser force

34.4 kN

Max stabiliser pressure (std foot pad)

673 kN/m2

Traffic load (live load) travelling

5.42 kN/m2

Traffic load (live load) stabilised wide

2.84 kN/m2

Traffic load (live load) stabilised narrow

2.90 kN/m2

Auto levelling

Std

Max slope for stabilisers (no extra pads)

13°

Gradeability lengthwise

17°

Gradeability sideways

12°

Standard engine

Kubota 22 Hp Diesel

Dual power options

240V or Batteries or Lithium

Expanding tracks

Std

Max drive speed

1.8 km/h

Radio control

Std

Electric emergency lowering

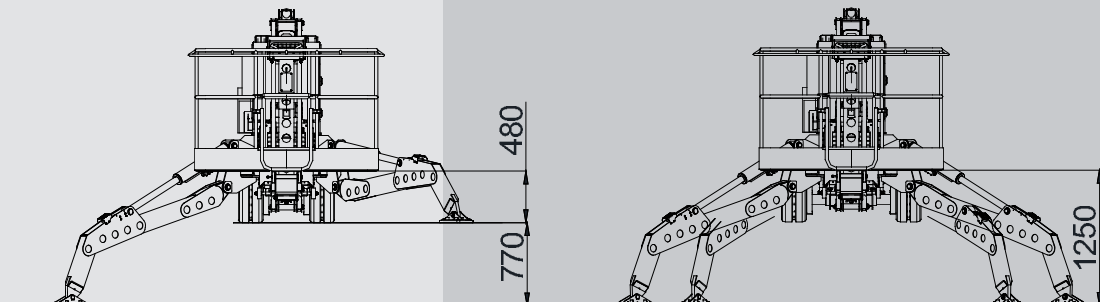
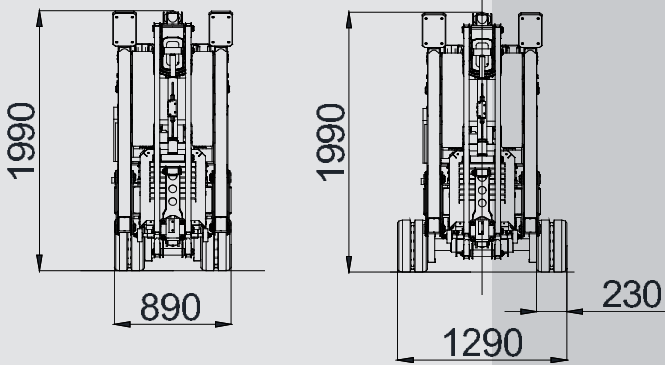
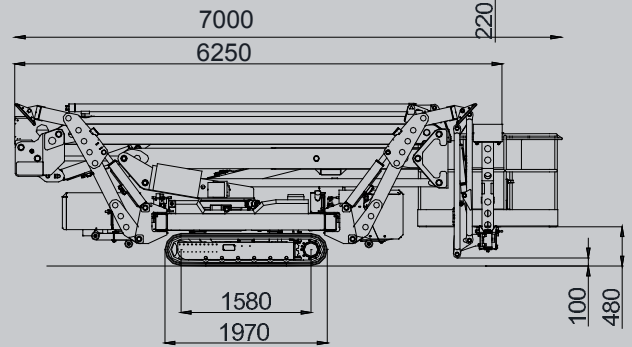
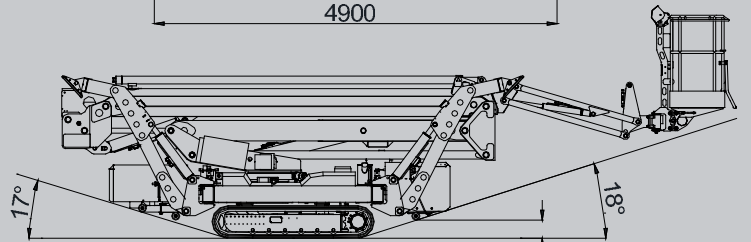
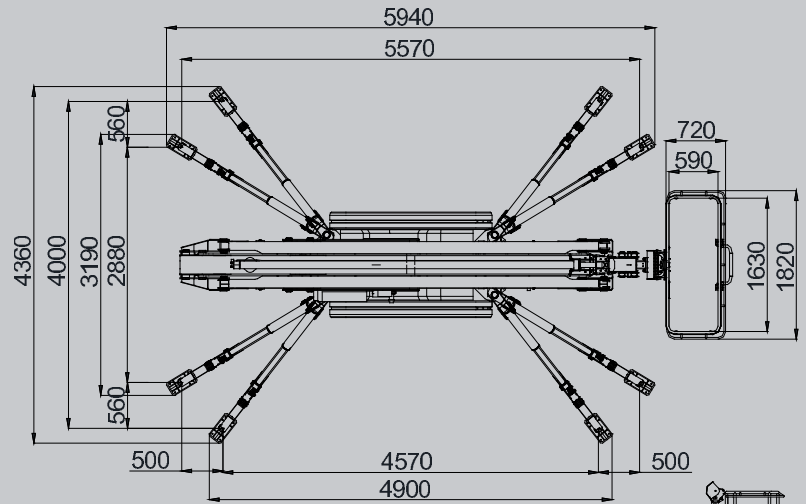
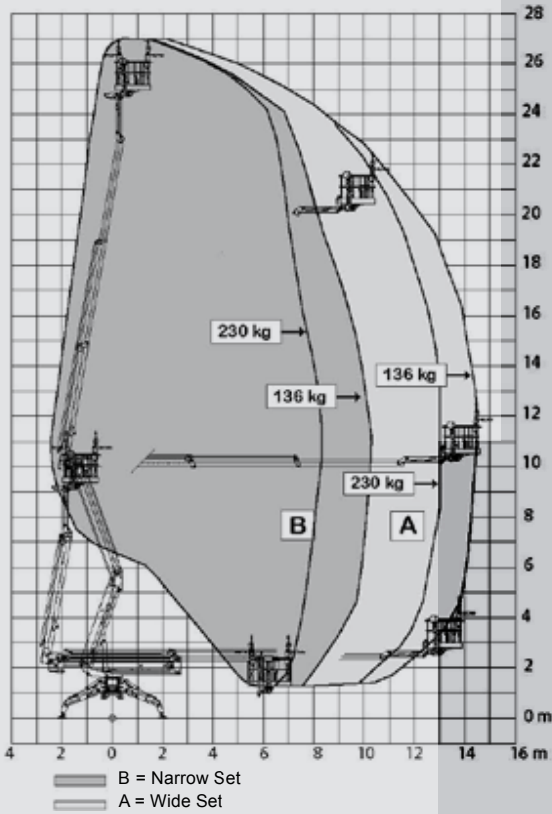
Std

Hydraulic winch

(All specs E&OE and subject to change)

Optional

PB2714 TECHNICAL DRAWINGS



PERTH PICKER HIRE
THE TRACK MOUNTED SPECIALIST