

PB2210 22M

Cherry Picker Specification Guide

Version 1.0 - 25/5/2021



ABOUT PB2210

The PB2210 compact dimensions and excellent up-and-over reach make it a versatile picker that will handle most work site scenarios. The pickers non marking expanding rubber tracks allow it to access load-sensitive surfaces.

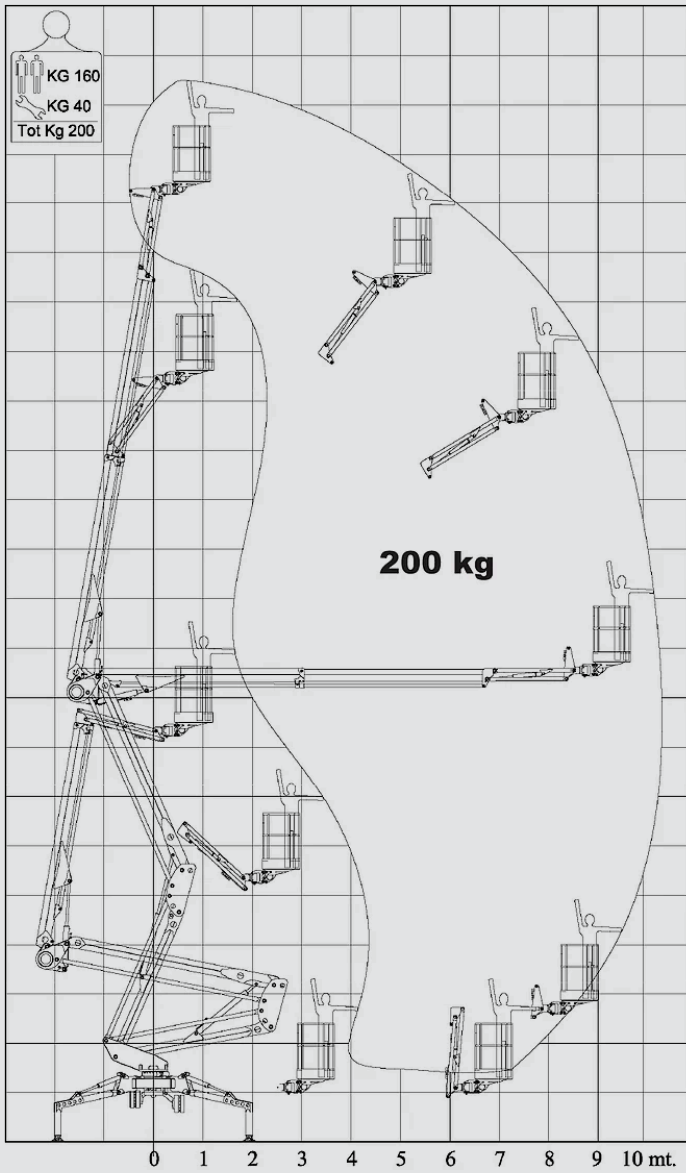
The PB2210 provides full working height at 21.7m and 360 degrees rotating capabilities. With an electric emergency lowering system and full function radio control it is a operator friendly picker.



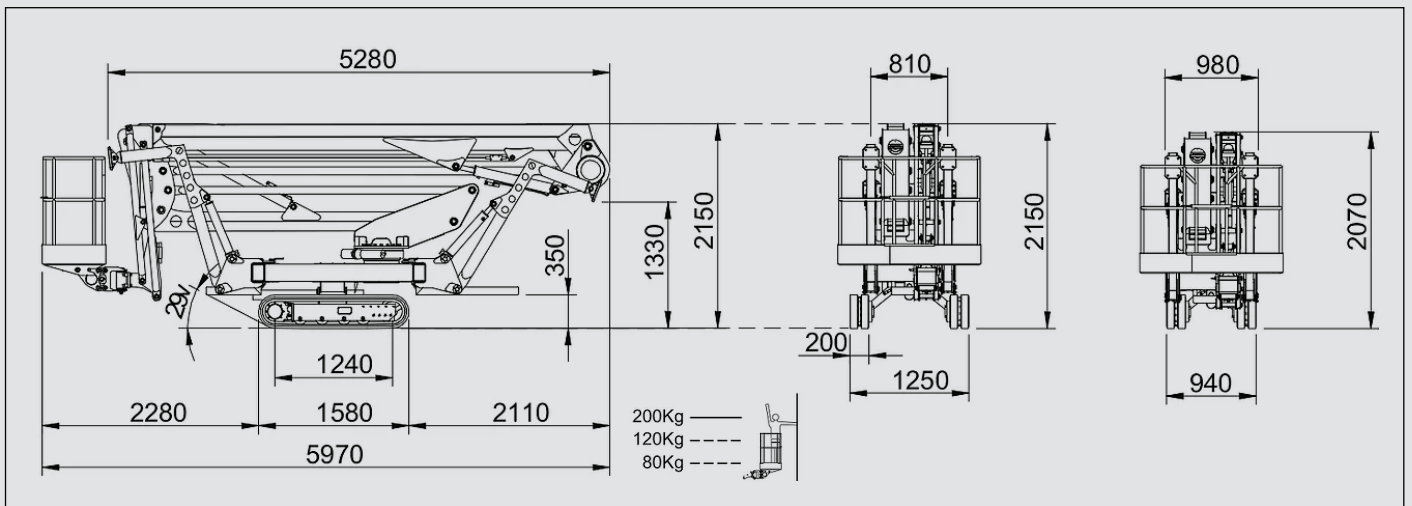
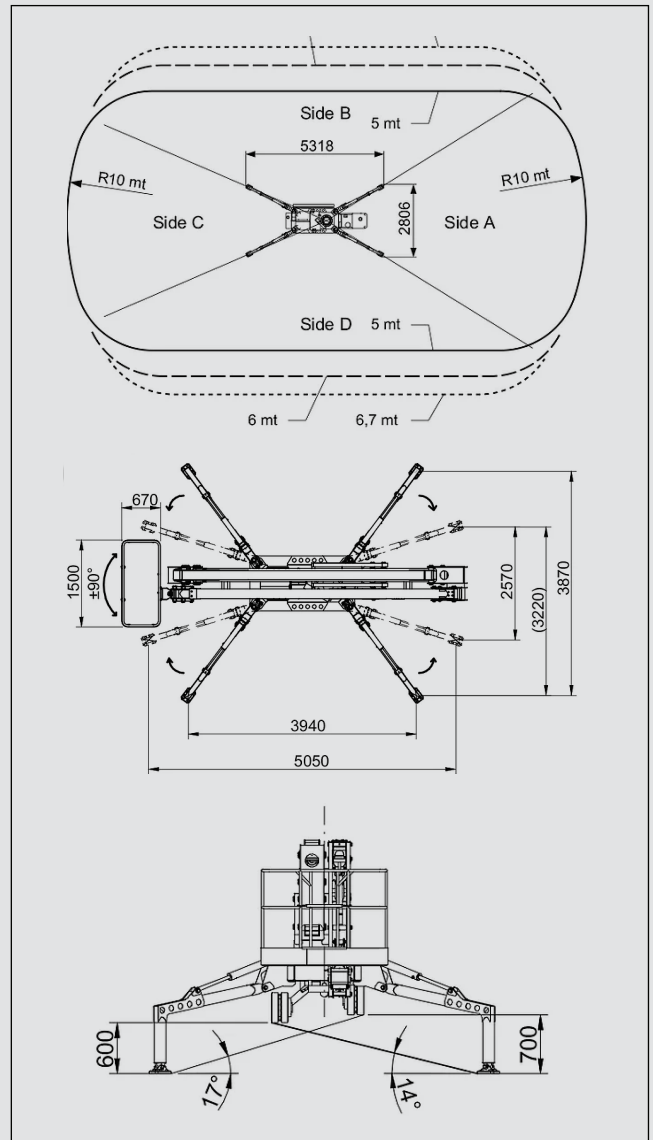
PB2210 SPECIFICATIONS

Max Working Height 21.70m	Length W/O Basket 5.28m	Gradeability Length-Wise 16° (29%)	Expanding Tracks Std
Max Platform Height 19.70m	Width Stowed(m) Tracks Retracted 0.98m	Gradeability Sideways 15° (27%)	Drive Speed km/h 2.5
Max Horizontal Working Outreach 10.30m	Height(m) Tracks Retracted 2.07m	Stabilizer Set-up Dimensions 4.184 x 4.139 o/o	2 Speed Drive No
Max Horizontal Outreach Edge of Basket 9.80m	Basket Dimensions 1.5 x 0.70m	Narrow Set-up Dimensions 5.318 x 2.806 o/o	Remote Drive Control Radio Std
Lift Capacity/SWL 200kg (230 EVO)	GVM 3.4 Tonne	Max Slope For Stabilizers 17°	Battery Voltage 12
Weight/Outreach Limited No	Total Weight 3000kg	Stabilization System (Radio/auto on PRO)	Basket Load Control Std
Turret Rotation 365°	Max Ground Pressure Driving 65 kN/m ²	Standard Power Source/s Kubota 14HP diesel & 240 volt system	Electric & Air Outlets In Basket Std
Basket Rotation Up To 180°	Max Stabilizer Force 20kN	Optional Power Sources Kubota 14hp Diesel & Battery System	Electric Emergency Lowering Std
Length With Basket 5.98m	Max Stabilizer Pressure Std Foot Pad 500 kN/m ²	Drive System Tracks	

PB2210 TECHNICAL DRAWINGS



23
22
21
20
19
18
17
16
15
14
13
12
11
10
9
8
7
6
5
4
3
2
1



PERTH PICKER HIRE
THE TRACK MOUNTED SPECIALIST