

PB43T 43M

Cherry Picker Specification Guide

Version 1.1 - 20/10/2021



ABOUT PB43T

With a massive 43 m of working height, and over 17m of horizontal outreach, the new 43T Spider Lift is truly a formidable weapon. With a basket capacity of 330kg this machine has the ability to tackle the biggest jobs where size really does matter. Enormous stabiliser leg travel allows the 43T to set up and operate in the most challenging terrain. And its powerful track drive will ensure it gets to the location with ease. And yet with its unique double telescopic articulated booms this machine will also allow operators to manoeuvre the basket into the work zone with fine precision.



PB43T SPECIFICATIONS

Max Working Height
43.18m

Max Stabiliser Pressure (std Foot Pad)
93.6kN/m²

Standard Engine
Kubota 37Hp Diesel

Max Working Height in Narrow Set
40.50m

Tracks Retracted
1.99m High

Dual Power Options
Lithium Batteries

Max Horiz Outreach
18.69m

Traffic Load (Live Load) Travelling
6.0kN/m²

Expanding Tracks
Std

Max Rated Capacity
330kg

Traffic Load (Live Load) Stabilised Wide
4.2kN/m²

Max Drive Speed
1.5km/h

Weight: Engine + Lithium Batteries
LBD 12920kg

Traffic Load (Live Load) Stabilised Narrow
4.9kN/m²

Radio Control
Std

Turret Rotation
Continuous 360°

Auto Levelling
Std

Electric Emergency Lowering
Std

Basket Rotation
180°

Max Slope for Stabilisers (No Extra Pads)
25°

Hydraulic Winch
Optional

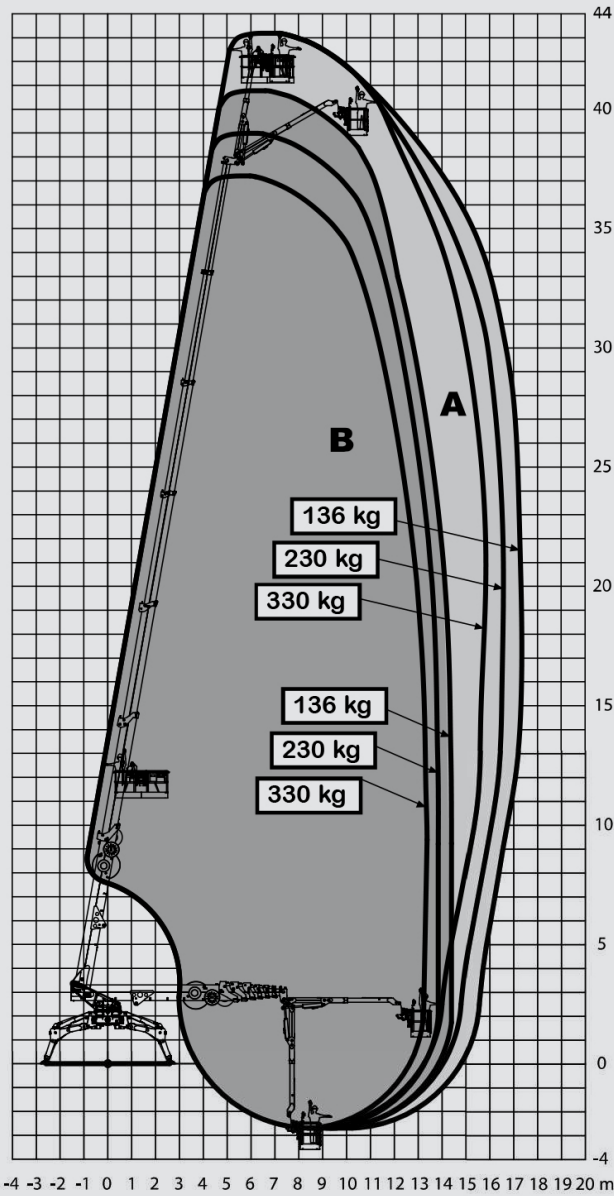
Ground Pressure Driving
92.35kN/m²

Gradeability Lengthwise
15°

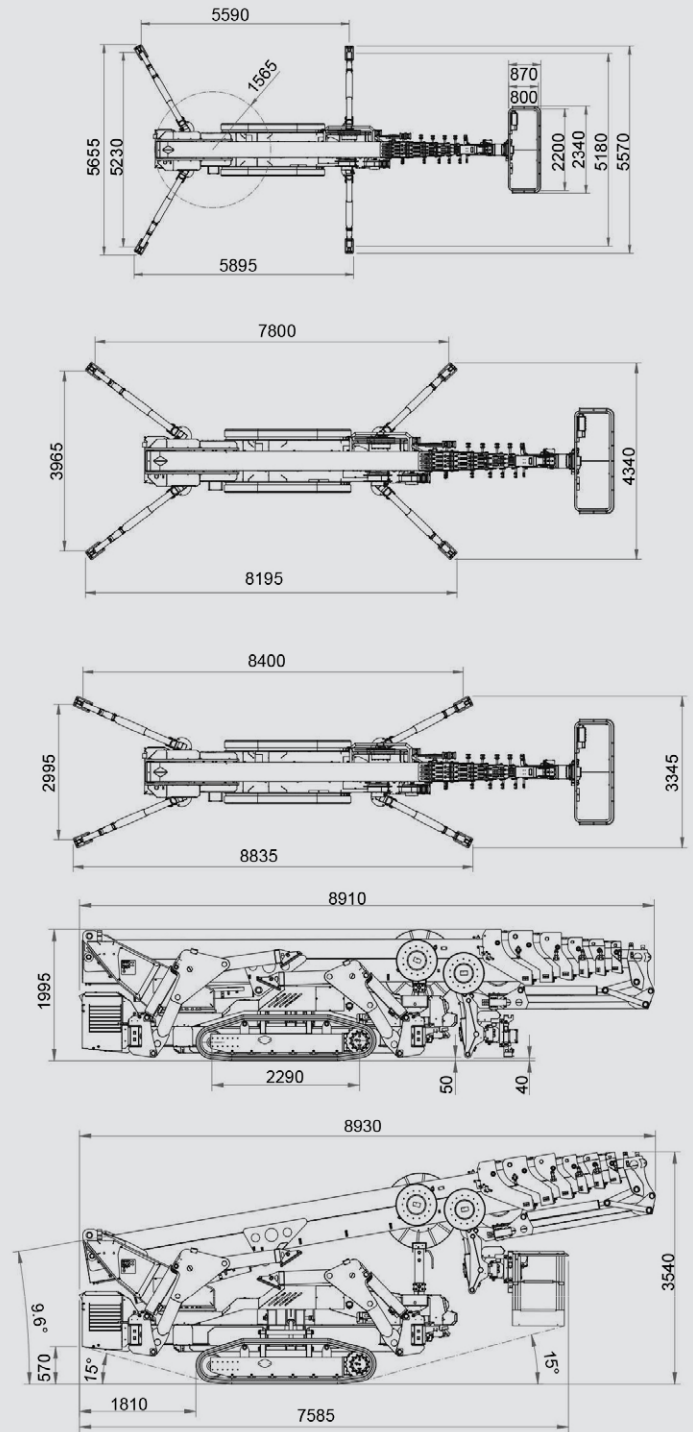
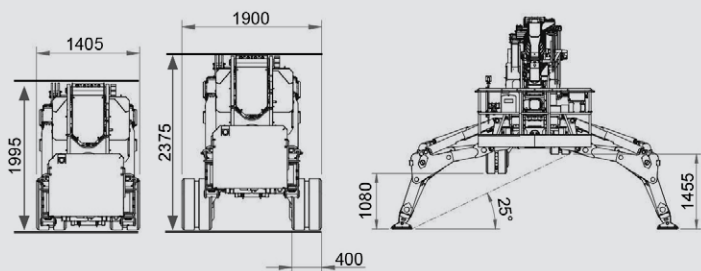
Max Stabiliser Force
94kN

Gradeability Sideways
17°

PB43T TECHNICAL DRAWINGS



B = Narrow Set
 A = Wide Set



PERTH PICKER HIRE
THE TRACK MOUNTED SPECIALIST