

**PB3315 33M**

Cherry Picker Specification Guide

Version 1.1 - 24/6/2021



**ABOUT PB3315**

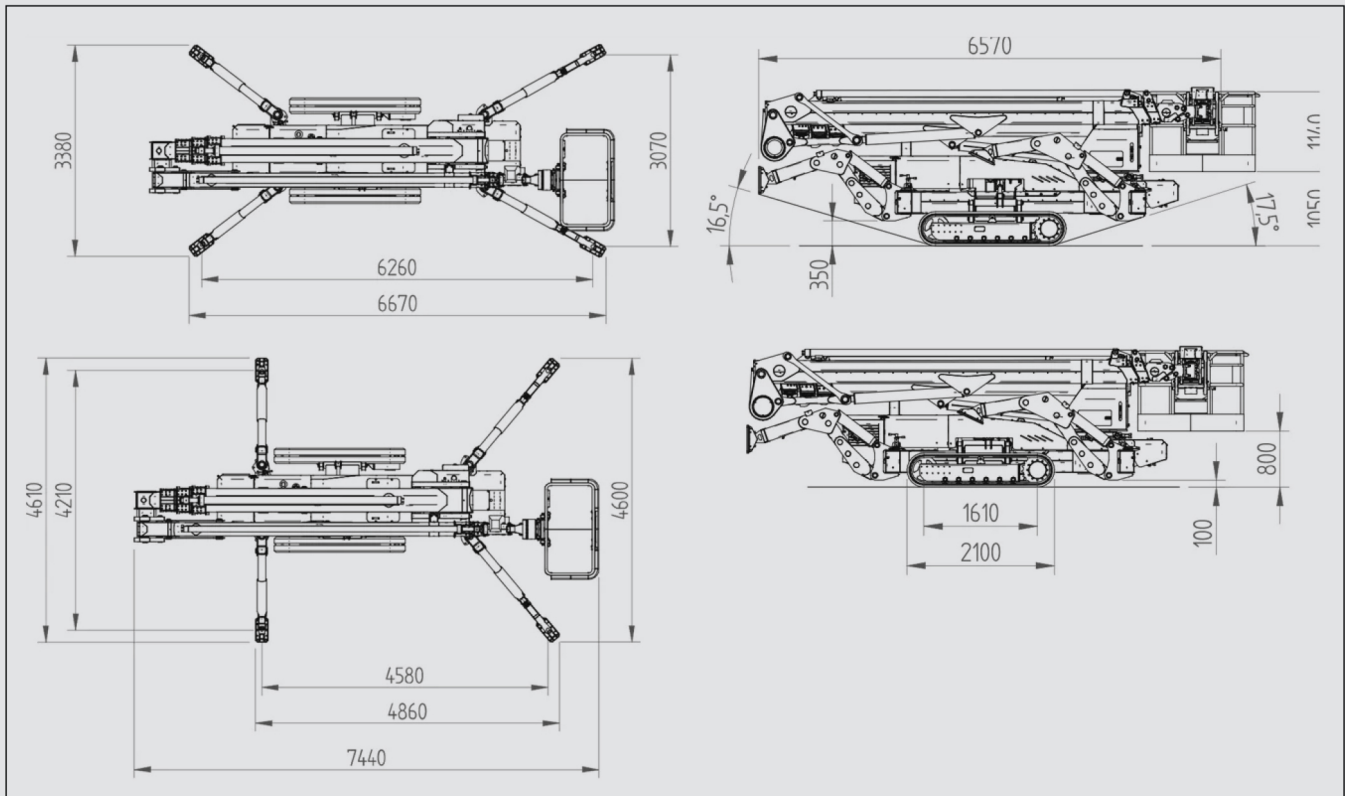
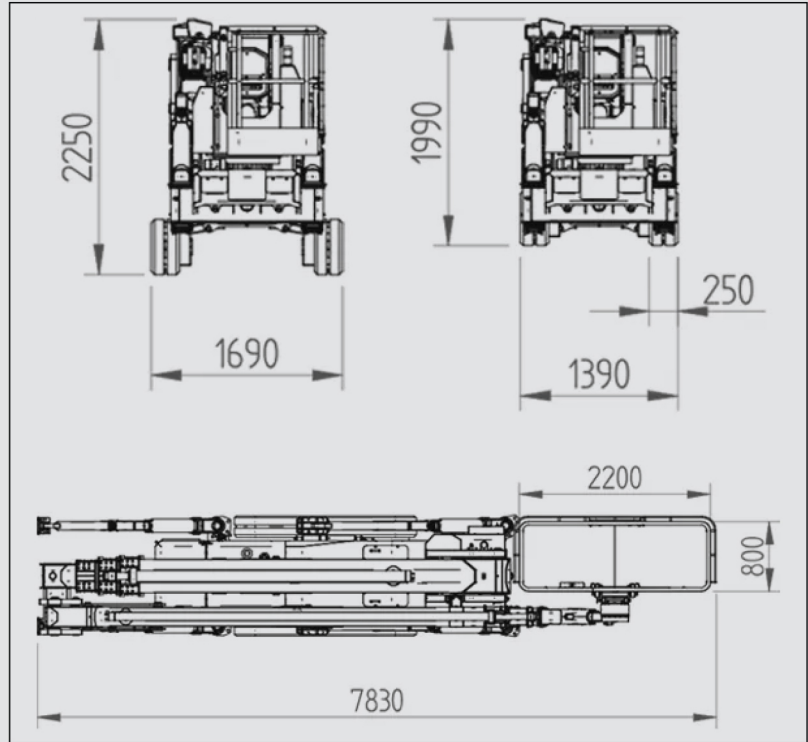
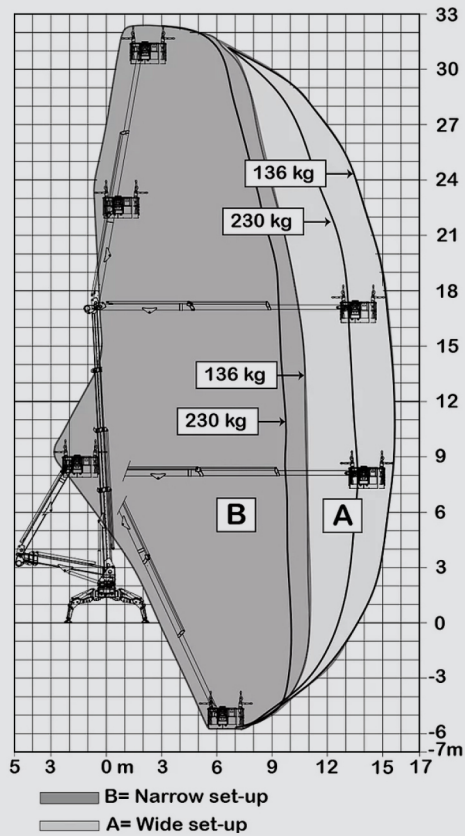
The Platform Basket 33.15 is a unique performer offering exceptional up and over reach with the articulating telescopic boom and working envelope. The extra compact design to enhances mobility in confined spaces. Rotating the basket into its folded position allows the user to achieve minimum width when accessing tight areas. Exclusive to the Platform basket design, the expandable undercarriage enables superior spider mobility when adjusted to wide and reduced machine height when narrow.



**PB3315 SPECIFICATIONS**

<b>Max Working Height</b> 32.40m	<b>Tracks Retracted</b> 1.99m High	<b>Standard Power Source/s</b> Kubota 22 Hp Diesel
<b>Max Horiz Outreach</b> 15.20m	<b>Basket Dimensions</b> 2.2 x 0.80m	<b>Optional Power Sources</b> N/A
<b>Max Horiz Outreach Edge of Basket</b> 14m	<b>Total Weight</b> 6980kg	<b>Drive System</b> Tracks
<b>Lift Capacity/SWL</b> 230kg	<b>Max Ground Pressure Driving</b> 68.6kN/m <sup>2</sup>	<b>Expanding Tracks</b> Std
<b>Weight/Outreach Limited (Yes/No)</b> No	<b>Max Stabilizer Force</b> 46.8kN	<b>Drive Speed km/h</b> 2.2
<b>Turret Rotation</b> 400°	<b>Max Stabilizer Pressure Std</b> 520kN/m <sup>2</sup>	<b>2 Speed Drive</b> No
<b>Basket Rotation</b> Up To 180°	<b>Gradeability Length-Wise</b> 16°	<b>Remote Drive Control</b> Radio Std
<b>Length With Basket</b> 7.83m	<b>Gradeability Sideways</b> 17°	<b>Battery Voltage</b> 12
<b>Length W/O Basket</b> 6.57m	<b>Max Slope For Stabilizers</b> 15°	<b>Basket Load Control</b> Std
<b>Width Stowed(m) Tracks Retracted</b> 1.39m	<b>Stabilization System</b> (Radio/auto on PRO)	<b>Electric Emergency Lowering</b> Std

**PB3315 TECHNICAL DRAWINGS**



**PERTH PICKER HIRE**  
THE TRACK MOUNTED SPECIALIST