

ML810 8M

Cherry Picker Specification Guide

Version 1.1 - 24/6/2021



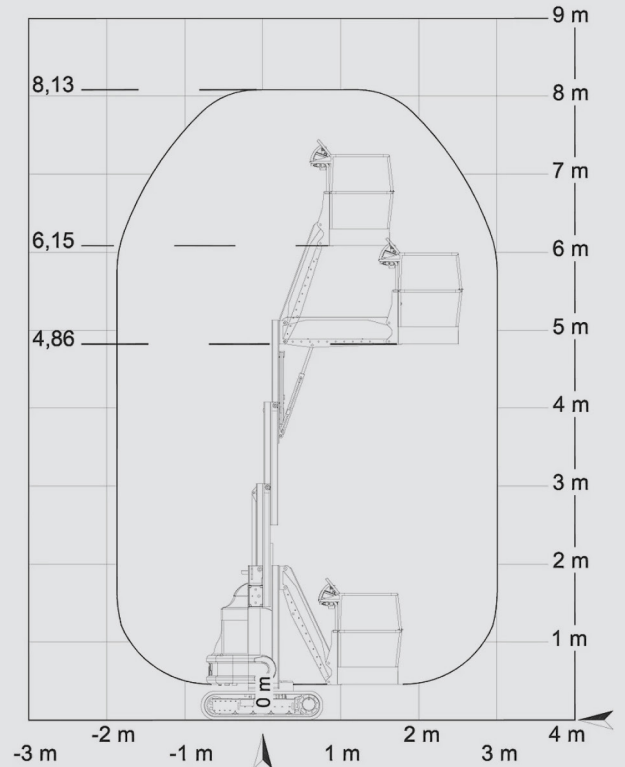
ABOUT ML810

The heavy duty construction of the ML810 and true all-terrain capability makes it the ideal machine for rough and tough sites. At only 1.2m wide and 1.98m high, doorway access is easily achieved. With gentle non marking tracks, the ML810 is just as at home indoors as outdoors. Weighing in at only 2.2 tonnes, the ML810 is very easily transported behind most tradesman's vehicles. A typical trailer package grosses at around 2.75 tonnes.

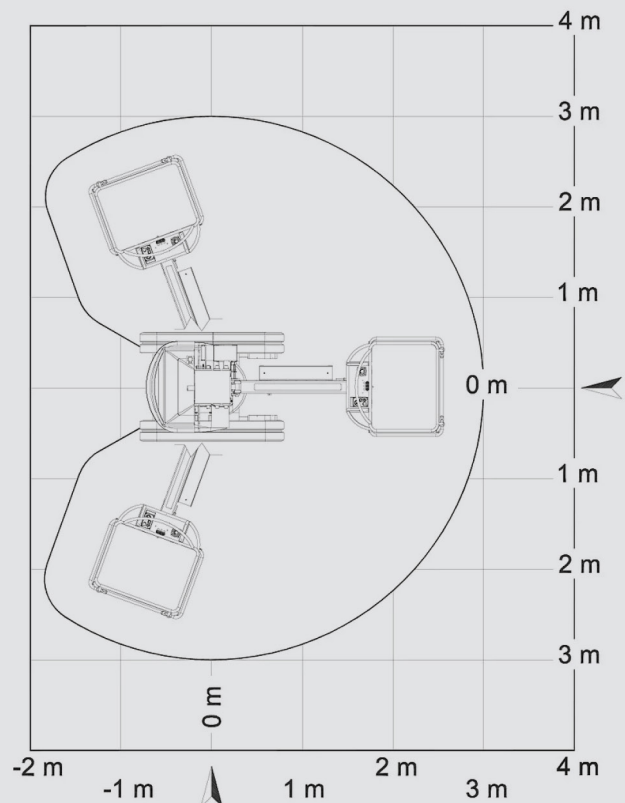
ML810 SPECIFICATIONS

Max Working Height 8.10m	Height-Stowed 1.98m
Max Platform Height 6.10m	Turning Radius Zero
Max Horizontal Working Outreach 3.00m	Gradeability 30%
Lift Capacity/SWL 200kg (2 persons)	Maximum Slope for Elevation 5°
Basket Rotation 2 x 110°	Drive Speed-Stowed (Two Speed) 1.8km/h
Platform Width 0.90m	Drive Speed-Raised 0.8km/h
Platform Length 0.80m	Weight 2200kg
Length-Stowed 2.47m	Max. Ground Bearing Pressure kN/m ²
Trackbase 1.20m	Standard Features 575Ah (Centralized 24 volt battery filling system)
Width 1.20m	

ML810 HEIGHT SPECIFICATIONS



ML810 ROTATION SPECIFICATIONS



PERTH PICKER HIRE
THE TRACK MOUNTED SPECIALIST